

CTC EcoZenith 510

Spacious yet remarkably compact volume tank.



CTC EcoZenith 510 is a hot water storage tank designed for almost all types of energy sources and for when a large volume of water is needed.

CTC EcoZenith 510 is a volume increasing buffer tank of just over 500 litres primarily for wood burning and solar heating systems. Spacious yet remarkably compact. The tank is supplied with insulation and top cover disassembled. This enables it to fit through standard doorways.

CTC EcoZenith 510 is only 1700 mm high and can therefore be placed in rooms with low ceilings. But it still has an impressive volume: 559 litres.

CTC EcoZenith 510 has connections on the sides. This provides discreet and simple pipe installations along with possibilities to easily extend the system in the future.

CTC EcoZenith 510 is equipped with an outlet for one immersion heater.

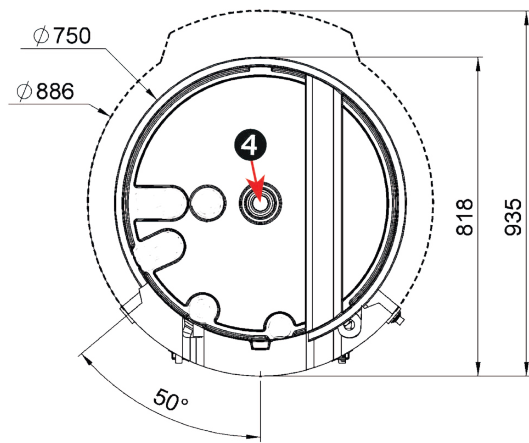
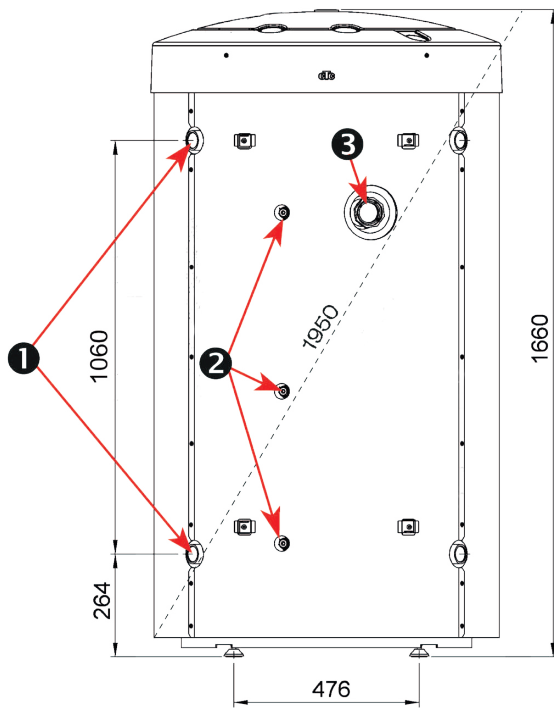
CTC EcoZenith 510 is very well insulated with 90 mm injection-moulded polyurethane (PUR). This corresponds to more than 160 mm mineral wool, which means heat loss is minimal.

Benefits

- Designed for connection to wood burning and solar heating systems
- Perfect as a buffer tank for CTC EcoZenith i550 Pro or as a buffer tank in systems with CTC EcoLogic
- Minimal heat loss with 90 mm injection-moulded polyurethane insulation
- Outlet for an immersion heater
- Spacious yet compact
- Year-round economical operation
- Many diverse areas of use



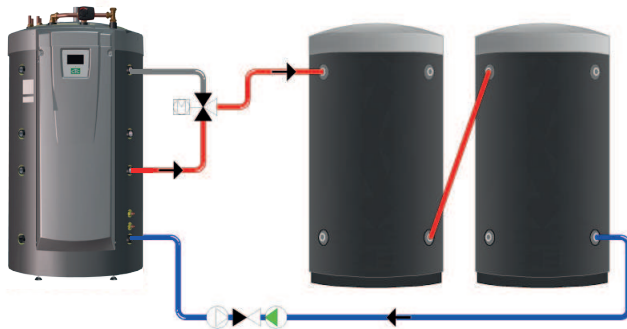
Dimensions diagram



Connections:

1. Heating connection, G 1 1/4" int.
2. Thermowell temperature sensor, Ø 6.5 mm
3. Immersion heater connection, G 2" int.
4. Expansion tank/Top connection/Lifting sleeve, G 1 1/4" int.

System diagram CTC EcoZenith i550 Pro



Delivery includes:

Volume tank with manual.

Packaging includes:

Safety valve 2.5 bar (radiator system), drainage valve, sensor 22K

Accessories:

Immersion heater 9 kW with control unit

Connection G 2", 50 mm extension.

CTC no.: 586897301

Technical data		
CTC no.		583701011
Weight (packaged weight)	kg	134 (177)
Dimensions (depth x width x height)	mm	886 x 935 x 1660
Required ceiling height	mm	1950
Insulation: PUR	mm	90
Heating system connection		G 1 1/4"
Water volume	litres	559
Noise level indoors L_{WA}	dB	15

¹⁾ Ecodesign data sheets can be downloaded from: www.ctc-heating.com/Ecodesign

