

Product Serial Number Guide

What the serial number means and where it is located on your product.



Important!

The product serial number must be used to register the product in connection with warranty coverage.

Example of data plate

The data plate may have a different appearance depending on the product and placement.

Below you can see two different types of data plates.

Example of a product serial number: 7312-2147-0568.
The first four digits indicate the type of product, the second four indicate the manufacture year and week. In this example: CTC EcoAir 610M, 2021 week 47. The last four digits indicate the sequential number.



012-C700087 Made in Sweden by CTC AB, Näsavägen 8, Ljungby		Import UK: Gø-Danthermal Limited Riggweg, 81000 Aachen, Co. Dänien, DLS 65P Phone: 01388 720 228
Typ / Type / Typ / Malli / Modèle / Tip: EP600M Modell / Model / Model / Malli / Modèle / Model: EP612M-BA-3x400V Benämning / Designation / Bezeichnung / Nimike / Désignation / Naziv: CTC EcoPart 612M		
TO: XXXXXXXX Seriennummer: XXXX-XXXX-XXXX Serial No: Herstellungsnummer: Valmistusnumero: N° de série: Serijska št.: <div style="border: 1px solid black; padding: 2px; width: fit-content;"> <streckkod Art nr Serien> </div> XXXXXXXXXXXXXXXXXXXX	Märkeffekt / Rated Power / Leistung el / Nimellisteho / Puissance élec / Nazivna moč: 5,8 kW Eldata / Electrical data / Elektrische Daten / Sähkö tiedot / Données électriques / El. napajanje: 400 V 3N ~ 50 Hz Max drifttryck / Max op pressure / Zul. Betriebsdruck / Maksimi käyttöpain / Pression de service max. / Maks. delovna tlak (P _S): 6 bar / 0,6 MPa Vattenvolym / Water Volume / Wasservolumen / Vesilähtävyys / Volume d'eau / Volumen vode (V): 4,1 L Max drifttemp / Max op. temp. / Max. Zul. Betriebstemp / Max käyttölämpötila / Temperatur max. / Maks. delovna temperatura (TS): 100°C För kyltekn. data, se kylmodulens skylt / See label of cooling module for data / Siehe Kälteplattenschild für Kältetechn. Daten / Tekniset tiedot: Katso kylmämodulin kyltti / Données frigorifiques: Voir plaque module frig. / Podaci: Glej nalepko hladilnega modula.	ART NR. / UTG



CTC EcoPart i600M

The data plate with the product's serial number is located on the front of the product, behind the magnetic strip above the touchscreen.

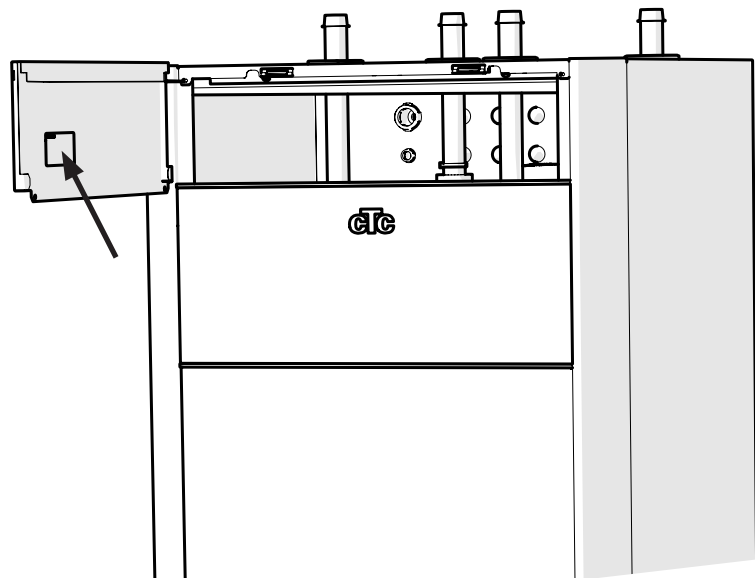
On the label below, the number will be: **730121150246**

Ex: CTC EcoPart i608M:

Seriennummer:	
Serial No:	
Herstellungsnummer:	7301-2115-0246
Valmistusnumero:	
N de fabrication:	

The product's serial number starts with:

CTC EcoPart i600M: 7301 XXXX XXXX



CTC GS 600/CTC GSi 600/CTC EcoZenith i360

The data plate with the product's serial number is located on the front of the product, behind the magnetic strip, on the connection box.

On the label below, the number will be: **731020391468**

Ex: CTC GSi 608:

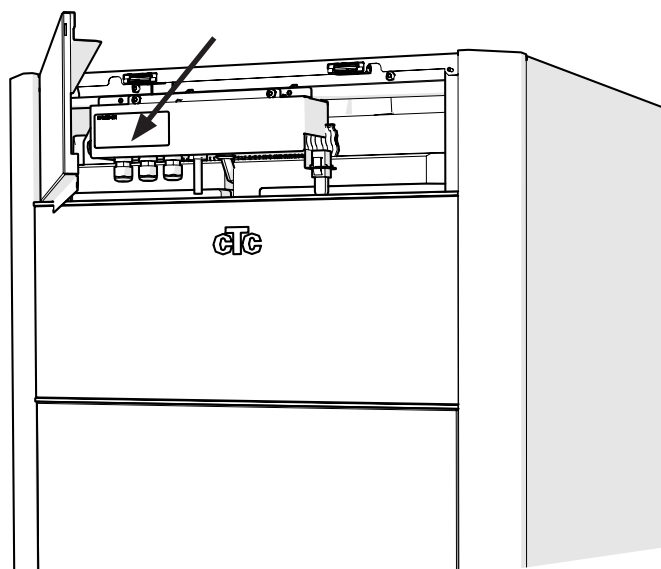
Seriennummer:	
Serial No:	
Herstellungsnummer:	7310-2039-1468
Valmistusnumero:	
N de fabrication:	

The product's serial number starts with:

CTC GS 600: 7310 XXXX XXXX

CTC GSi 600: 7310 XXXX XXXX

CTC EcoZenith i360: 7208 XXXX XXXX



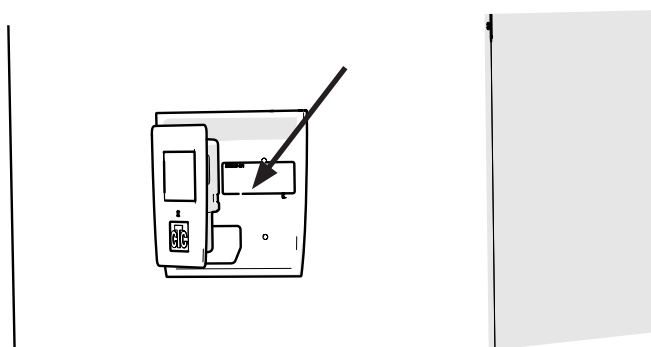
CTC EcoHeat 400/CTC EcoPart 400 Pro/CTC GS/ CTC GSi/CTC EcoZenith i255/i250/i350

The data plate with the product's serial number is located behind the display on the front of the product. Carefully fold out the display by grasping the right edge of the display. In some rare cases, it may also be located on the top of the product, behind the cover.

On the label below, the number will be: **731020391468**

Ex: CTC EcoHeat 408:

Seriennummer:	
Serial No:	
Herstellungsnummer:	7310-2039-1468
Valmistusnumero:	
N de fabrication:	



The product's serial number starts with:

CTC EcoHeat 400: 7310 XXXX XXXX

CTC EcoPart 400 Pro: 7301 XXXX XXXX

CTC GS: 7301 XXXX XXXX

CTC GSi: 7310 XXXX XXXX

CTC EcoZenith i255: 7208 XXXX XXXX

CTC EcoZenith i250: 7208 XXXX XXXX

CTC EcoZenith i350: 7208 XXXX XXXX

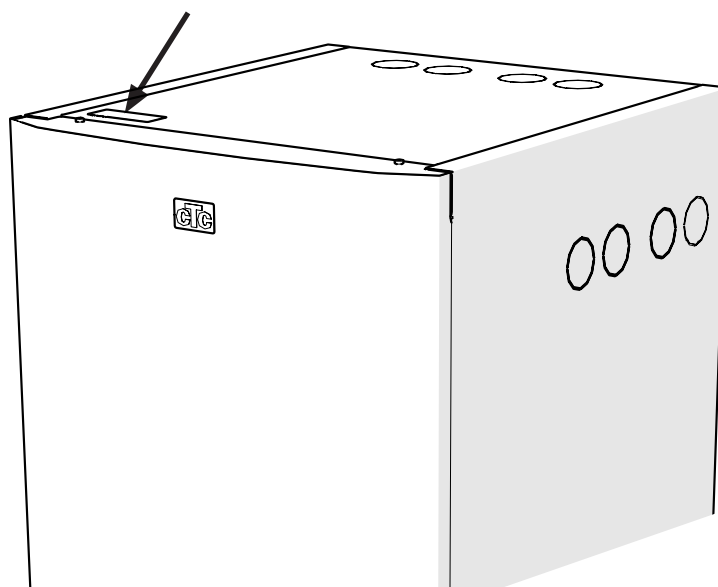
CTC EcoPart 600M/CTC EcoPart 400/ CTC EcoPart 400 Basic

The data plate with the product's serial number is located on the top of the product.

On the label below, the number will be: **730119260362**

Ex: CTC EcoPart 612M

Seriennummer:	
Serial No:	
Herstellungsnummer:	7301-1926-0362
Valmistusnumero:	
N de fabrication:	



The product's serial number starts with:

CTC EcoPart 600M: 7301 XXXX XXXX

CTC EcoPart 400: 7301 XXXX XXXX

CTC EcoPart 400 Basic: 7301 XXXX XXXX



CTC EcoZenith i555 Pro

The data plate with the product's serial number is located on the left side of the product.

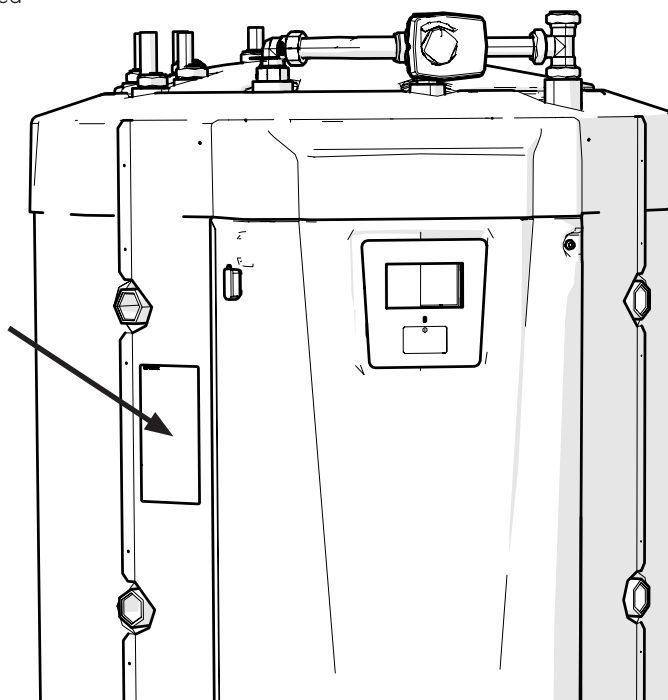
On the label below, the number will be: **725020390389**

Ex: CTC EcoZenith i555 Pro:

Seriennummer: Serial No:	
Herstellungsnummer: Valmistusnumero: N de fabrication:	7250-2039-0389

The product's serial number starts with:

CTC EcoZenith i555 Pro: 7250 XXXX XXXX



CTC EcoAir 700M

The data plate with the product's serial number is located on the back of the product.

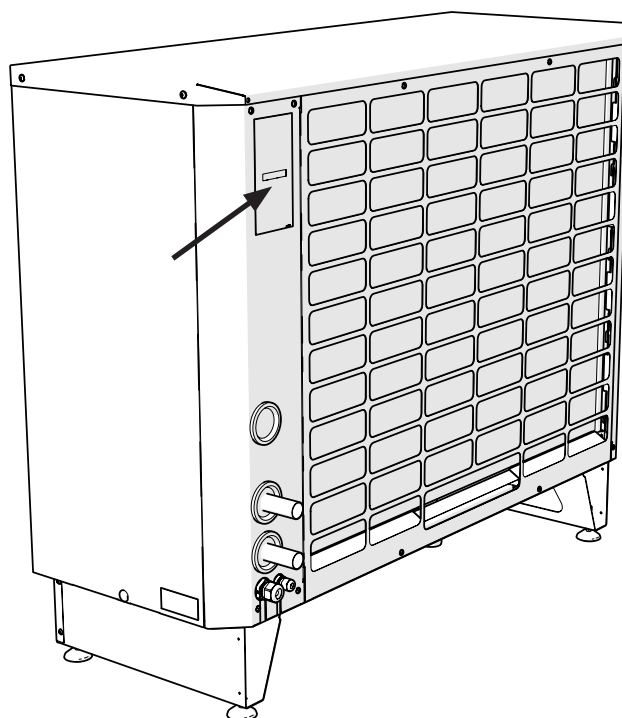
On the label below, the number will be: **731223495053**

Ex: CTC EcoAir 708M

Seriennummer: Serial No:	
Herstellungsnummer: Valmistusnumero: N de fabrication:	7312-2349-5053

The product's serial number starts with:

CTC EcoAir 700M: 7312 XXXX XXXX



CTC EcoAir 400/CTC EcoAir 600M

The data plate with the product's serial number is located on the back of the product.

On the label below, the number will be: **731219140930**

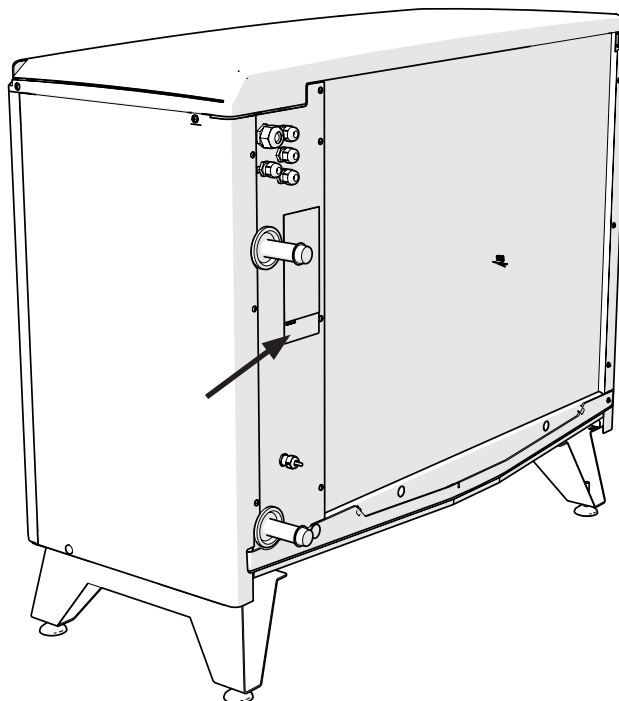
Ex: CTC EcoAir 406

Seriennummer: Serial No:	
Herstellungsnummer: Valmistusnumero:	7312-1914-0930
N de fabrication:	

The product's serial number starts with:

CTC EcoAir 400: 7312 XXXX XXXX

CTC EcoAir 600M: 7312 XXXX XXXX

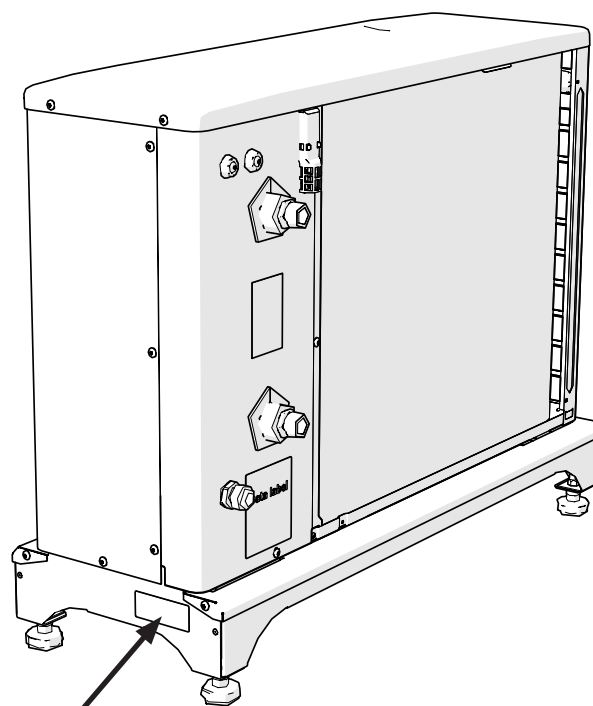


CTC CombiAir

The data plate with the product's serial number is located on the right side of the product. The serial number can be read on the data plate. The first 2 digits are not used when registering the product.

On the label below, the number will be: **429620338001**

S/N: 06429620338001
CTC COMBIAIR 6M
06429620338001

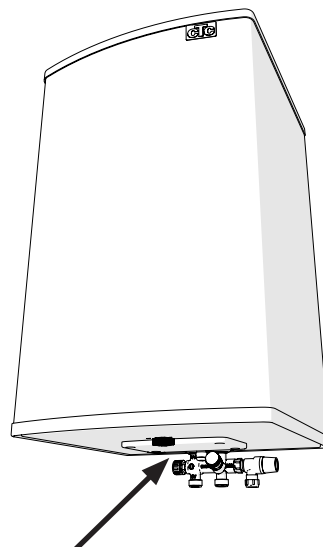




CTC Brilliant 60/110

The data plate with the product's serial number is located on the underside of the product near the connection cable. The serial number can be read from the barcode on the data plate. Digits 5 and 6, along with the last 6 digits, together form the serial number.

On the label below, the number will be: **22035161**

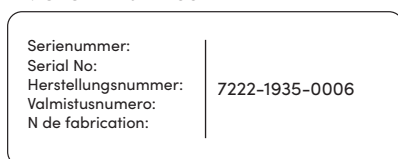


CTC Brilliant 200/300

The data plate with the product's serial number is located on the right inside, behind the front plate.

On the label below, the number will be: **722219350006**

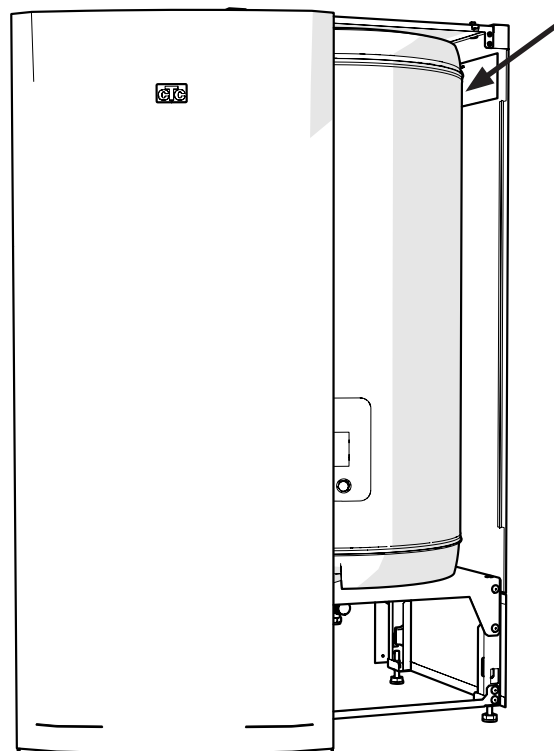
Ex: CTC Brilliant 200



The product's serial number starts with:

CTC Brilliant 200: 7222-XXXX-XXXX

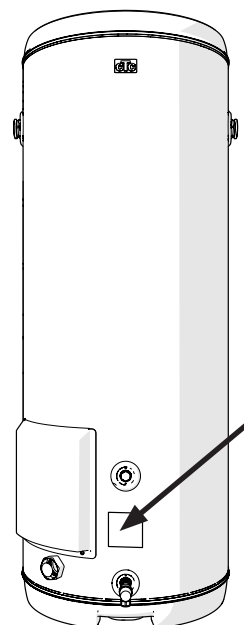
CTC Brilliant 300: 7222-XXXX-XXXX



CTC Modul 300/400

The data plate with the product's serial number is located near the connections for electricity and water. The serial number can be read from the barcode on the data plate. Digits 5 and 6, along with the last 6 digits, together form the serial number.

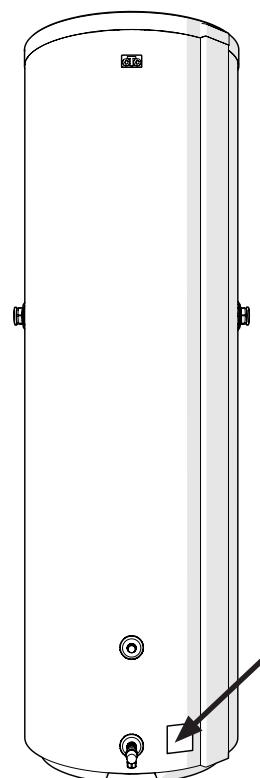
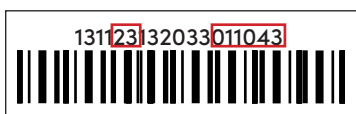
On the label below, the number will be: **23011043**



CTC Modul 400 L

The data plate with the product's serial number is located at the bottom near the drainage. The serial number can be read from the barcode on the data plate. Digits 5 and 6, along with the last 6 digits, together form the serial number.

On the label below, the number will be: **23011043**





CTC AT

The data plate with the product's serial number is located on the top of the product.

On the label below, the number will be: **421901**

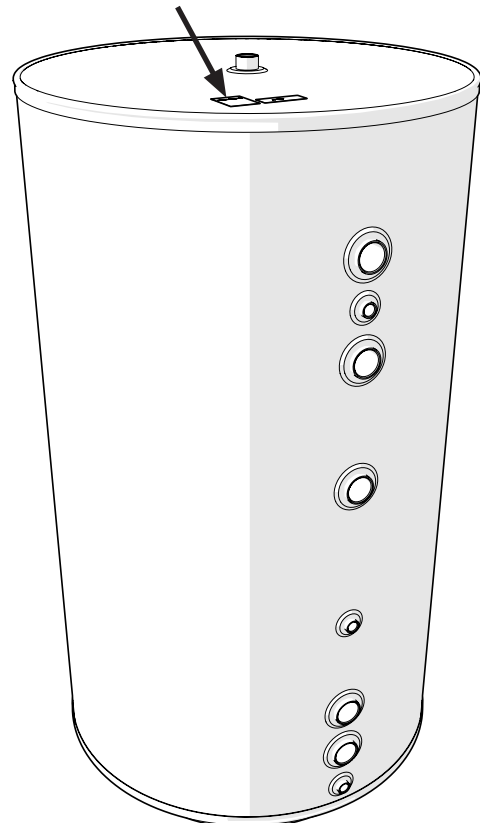
Ex: CTC AT 300

Serienummer: Serial No:	
Herstellungsnummer: Valmistusnumero:	421901
N de fabrication:	

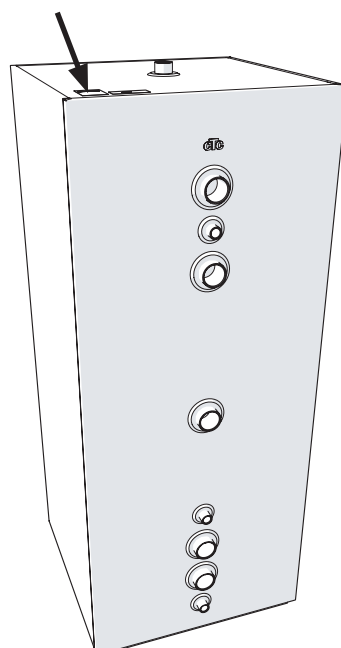
Model	CTC AT X XXXXX		
Prod No.	XXX-XXXXXXXXXX		
Serial No.	XXXXXX		
	EN 2014/68/EC §4,3		
Manufact. Date	MM-YYYY		
Vol prime side (RAD) (V)	XXX,X	lit	
Max op. press. (RAD) (PS)	X	bar	
Test pressure (RAD) (TS)	X,X	bar	
Max op. Temp	100	°C	
Vol sec side (DHW) (V)	XX,X	lit	
Max op. press. (DHW) (PS)	XX	bar	
Test pressure (DHW) (TS)	XX,X	bar	
<small>(EAN128, serienummer)</small>			
Made in Sweden by BoRö Pannan AB Bangårdsvägen 1, SE-952 31 Kalix			

CTC AT 500 6 bar: XXXXXX

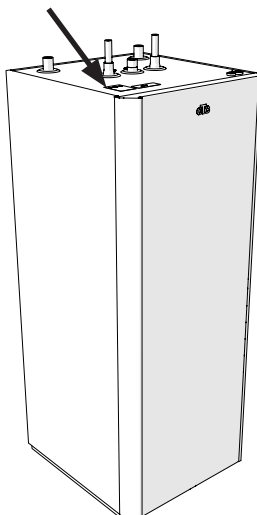
CTC AT 750-1000: XXXXXX



CTC AT 500 3 bar: XXXXXX



CTC AT 300: XXXXXX



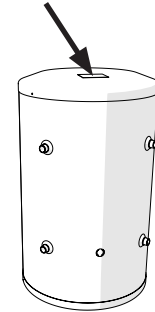
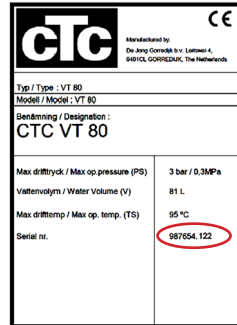
CTC VT 80

The data plate with the product's serial number is located on the top of the product.

On the label below, the number will be: **987654122**

Ex: CTC VT 80

Seriennummer:	
Serial No:	
Herstellungsnummer:	987654.122
Valmistusnumero:	
N de fabrication:	



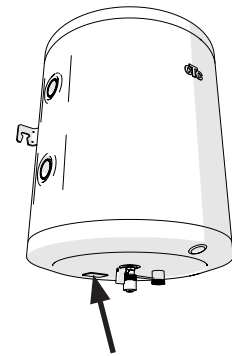
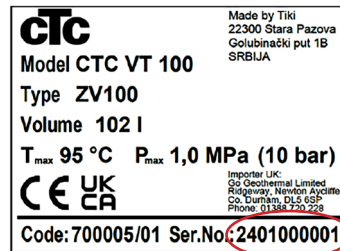
CTC VT 50/100

The data plate with the product's serial number is located on the underside of the product.

On the label below, the number will be: **20231030006**

Ex: CTC VT 50

Seriennummer:	
Serial No:	
Herstellungsnummer:	20231030006
Valmistusnumero:	
N de fabrication:	



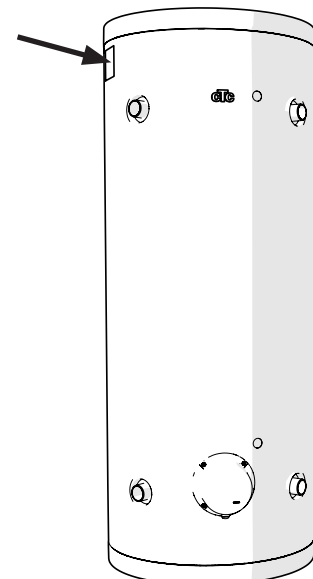
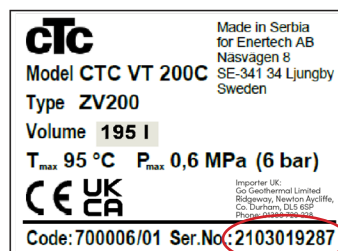
CTC VT 200C/300C

The data plate with the product's serial number is located on the left side of the product.

On the label below, the number will be: **2103019287**

Ex: CTC VT 300C

Seriennummer:	
Serial No:	
Herstellungsnummer:	2103019287
Valmistusnumero:	
N de fabrication:	





CTC EcoLogic L/M

The data plate with the product's serial number is located on the right side of the product.

On the label below, the number will be: **832024240447**

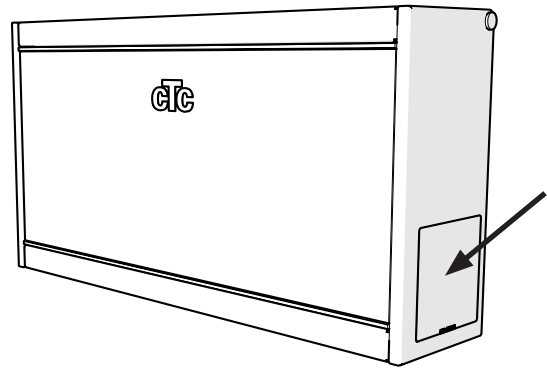
Ex: CTC EcoLogic L

Seriennummer:	
Serial No:	
Herstellungsnummer:	8320-2424-0447
Valmistusnumero:	
N de fabrication:	

The product's serial number starts with:

CTC EcoLogic L: 8320-XXXX-XXXX

CTC EcoLogic M: 8320-XXXX-XXXX



CTC EcoLogic S

The data plate with the product's serial number is located on the back of the product.

On the label below, the number will be: **832024110187**

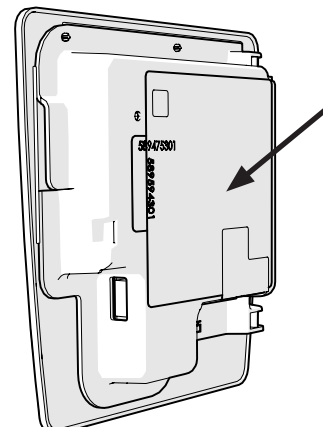
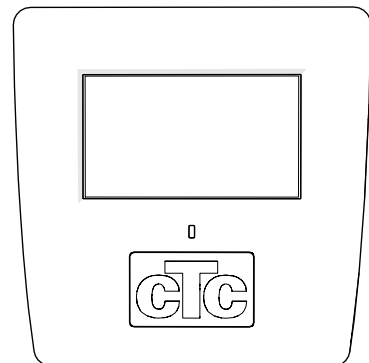
Ex: CTC EcoLogic S

Seriennummer:	
Serial No:	
Herstellungsnummer:	8320-2411-0187
Valmistusnumero:	
N de fabrication:	

The product's serial number starts with:

CTC EcoLogic S EA: 8320-XXXX-XXXX

CTC EcoLogic S EP: 8320-XXXX-XXXX



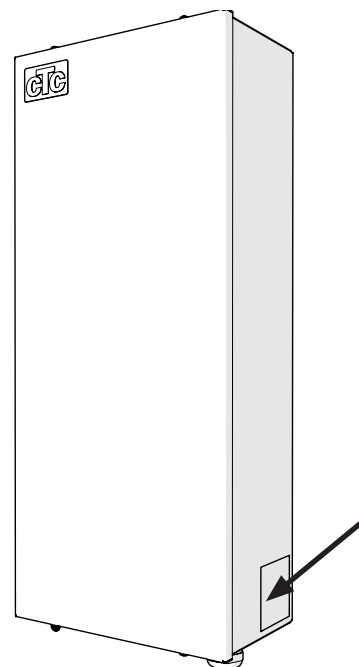
CTC EI 9-26

The data plate with the product's serial number is located on the right side of the product.

On the label below, the number will be: **2301-0415-03**

Ex: CTC EL 15

Seriennummer:	
Serial No:	
Herstellungsnummer:	2301-0415-03
Valmistusnumero:	
N de fabrication:	



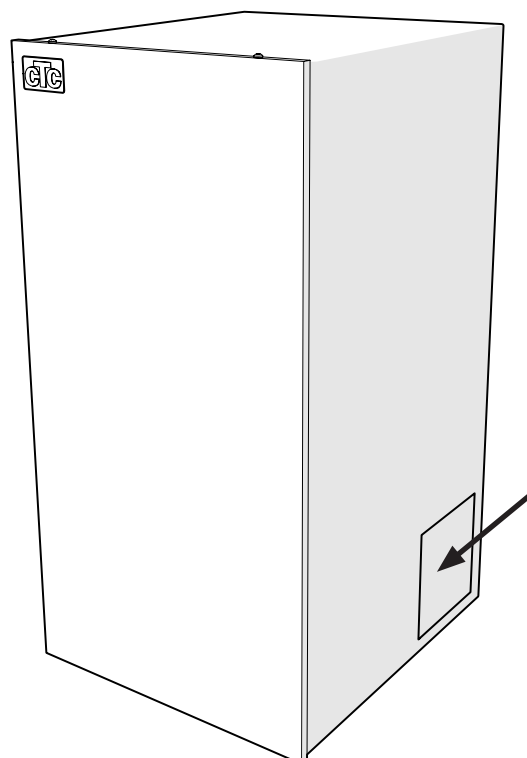
CTC EI 42

The data plate with the product's serial number is located on the right side of the product.

On the label below, the number will be: **2310-4042-02**

Ex: CTC EL 42

Seriennummer:	
Serial No:	
Herstellungsnummer:	2310-4042-02
Valmistusnumero:	
N de fabrication:	





HEAT PUMPS

